

Classic

 **KAMADOJOE**<sup>®</sup>  
Ceramic Grills



# Features & Components



## INTERNAL COMPONENTS



FireBox



Cast Iron Top Vent



Divide & Conquer® System



HDPE Side Shelves



Felt Gasket



HDPE Handle



Thermometer



Heavy Duty Cart



Patented Ash Collector

## Specifications

Dimensions	Cooking Surface	Weight	Heat Range
46.5 in W x 48 in H x 28 in D (inc cart and shelves)	18" Diameter 256 sq in (407 sq in with rack extension)	284 lbs	225°F – 750°F+
118.1 cm W x 121.9 cm H x 71.1 cm D (inc cart and shelves)	46cm Diameter 1,646 sq cm (2,619 with rack extension)	129 kg	82°C – 399°C

## Materials

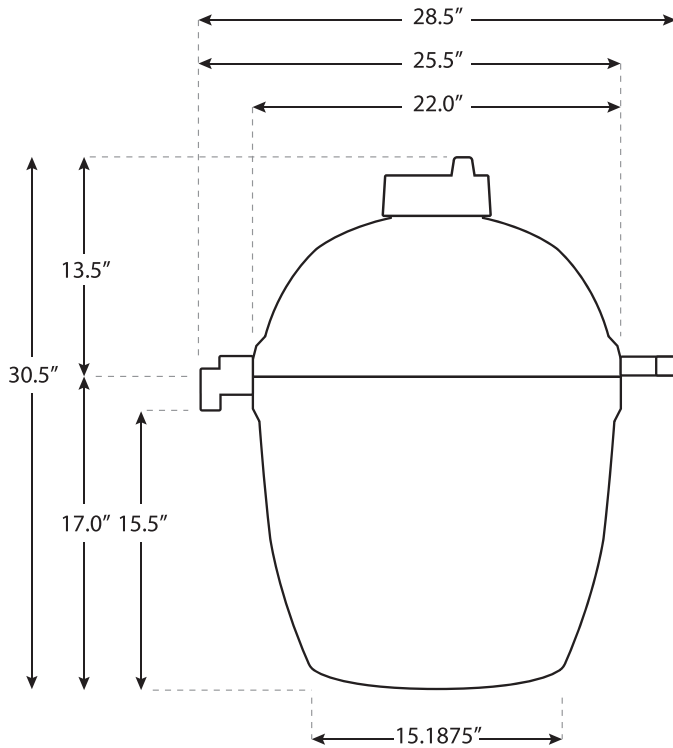
Base/Dome	High Fire Heat-Resistant Ceramics	Premium Cart	Powdercoated Galvanized Steel
Glaze	Heat-Resistant Ceramic Coating	Side Shelves	HDPE
Top Vent	Cast Iron	Hinge	Spring Assisted
Grill Grates	304 Stainless Steel	Patented Ash Collector	304 Stainless Steel
FireBox	High-Fire Heat-Resistant Ceramics	Gasket	Felt

# Dimensions & Installation Guide

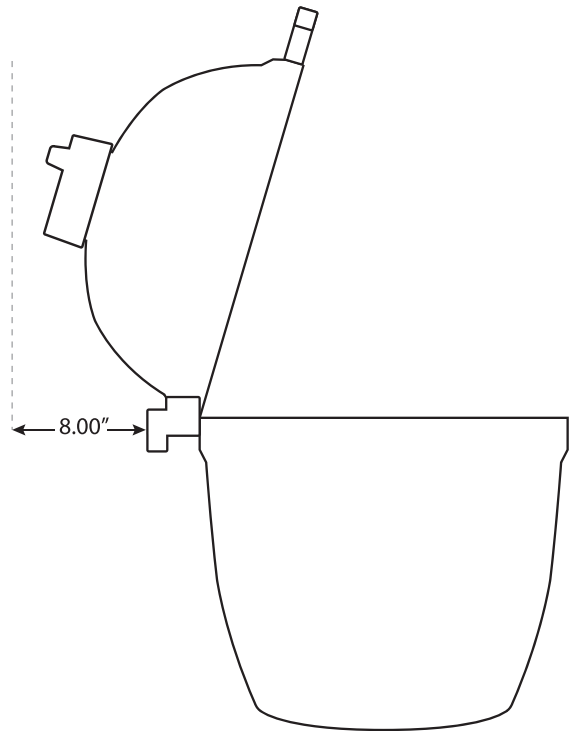
## IMPORTANT DIMENSION NOTES

Please use this as a general guide for installing a Classic ceramic grill in a built-in outdoor kitchen or grill table. Drawing is not to scale.

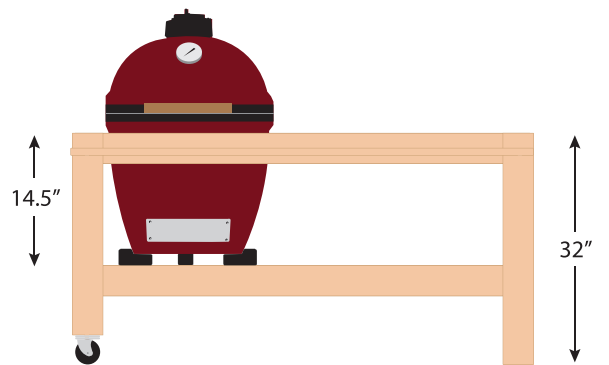
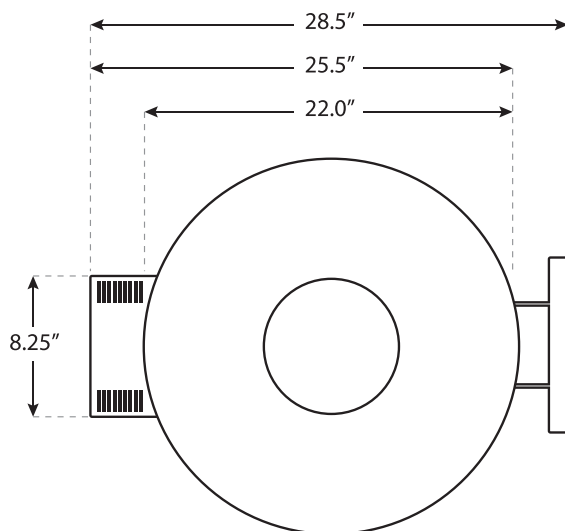
### ClassicJoe Side View



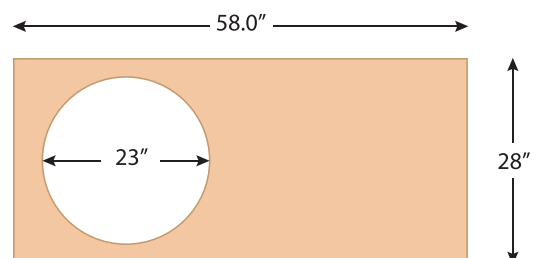
### ClassicJoe Open Clearance



### ClassicJoe Top View



The 1" ceramic feet are included in the height.





**KAMADOJOE®**